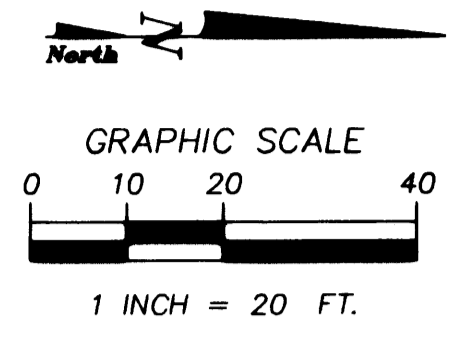
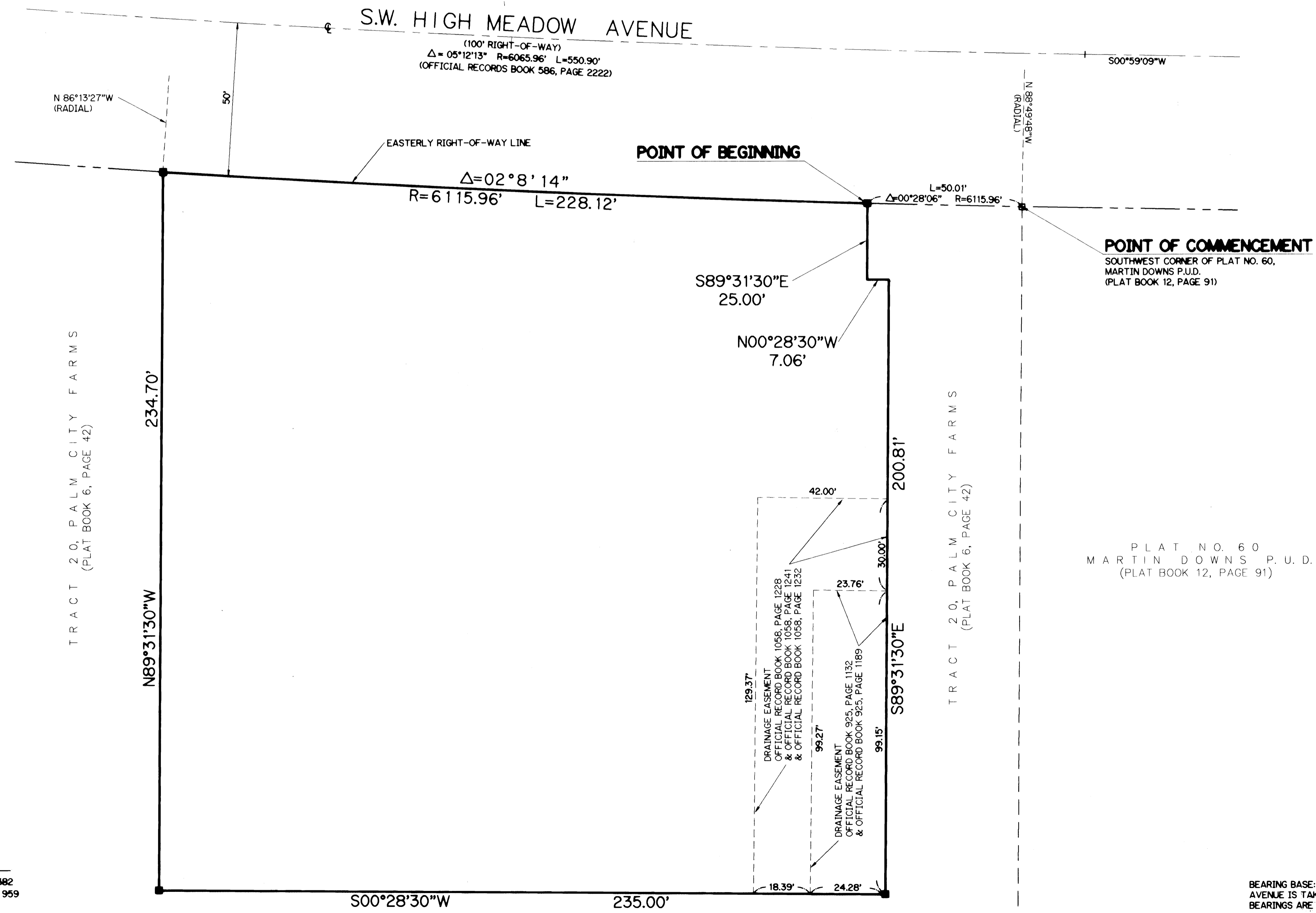


PLAT NO. 73 MARTIN DOWNS P.U.D.

BEING A REPLAT OF A PORTION OF TRACT 20, PALM CITY FARMS
AS RECORDED IN PLAT BOOK 6, PAGE 42
PUBLIC RECORDS OF PALM BEACH (NOW MARTIN) COUNTY, FLORIDA
LYING IN SECTION 13, TOWNSHIP 38 SOUTH, RANGE 40 EAST
MARTIN COUNTY, FLORIDA



MARTIN DOWNS VILLAGE CENTER
PLAT NO. 12 MARTIN DOWNS P.U.D.
(PLAT BOOK 9, PAGE 88)



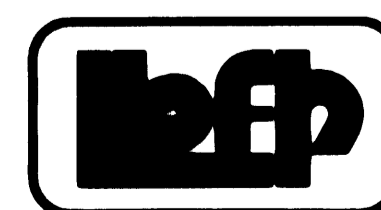
LEGEND:
 ■ - DENOTES P.R.M. (PERMANENT REFERENCE MONUMENT) SET NO. LS 4382
 □ - DENOTES P.R.M. (PERMANENT REFERENCE MONUMENT) FOUND NO. LS 959

POINT OF COMMENCEMENT
SOUTHWEST CORNER OF PLAT NO. 60,
MARTIN DOWNS P.U.D.
(PLAT BOOK 12, PAGE 91)

PLAT NO. 60
MARTIN DOWNS P.U.D.
(PLAT BOOK 12, PAGE 91)

BEARING BASE: THE CENTERLINE OF S.W. HIGH MEADOWS AVENUE IS TAKEN TO BEAR S00°59'10"W AND ALL OTHER BEARINGS ARE RELATIVE THERETO.

TRACT 20, PALM CITY FARMS
(PLAT BOOK 6, PAGE 42)



LINDAHL, BROWNING, FERRARI, & HELSTROM, INC.
CONSULTING ENGINEERS, PLANNERS & SURVEYORS
 210 JUPITER LAKES BLVD. SUITE 300 FT. PIERCE FL. 34950 WEST PALM BEACH FL. 33409
 MIAMI, FL. 33148 SUITE 201 SUITE 702
 407-746-9248 407-296-3883 407-461-2450 407-684-3375